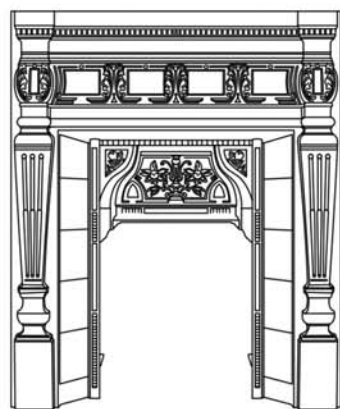




The Lambourn Combination

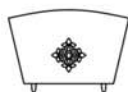
Contents



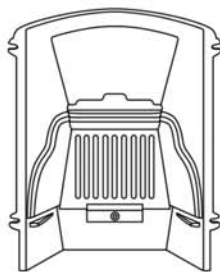
Fireplace Fascia



Shelf



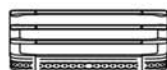
Damper Plate



Fireplace Back



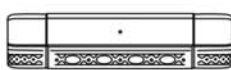
Fire Brick



Bars



Grate



Ashpan Cover



Firebrick Retaining Plate



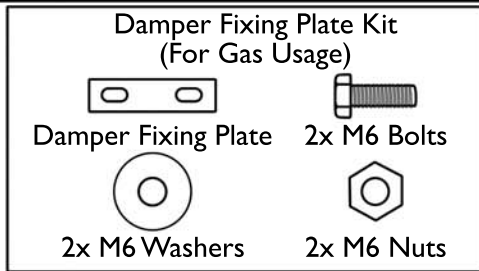
2x C Bracket



1x M6 Bolt



Ashpan Handle



Damper Fixing Plate Kit (For Gas Usage)



Damper Fixing Plate



2x M6 Bolts



2x M6 Washers



2x M6 Nuts



4x M6 Stud



6x M6 Nut



6x M6 Washer

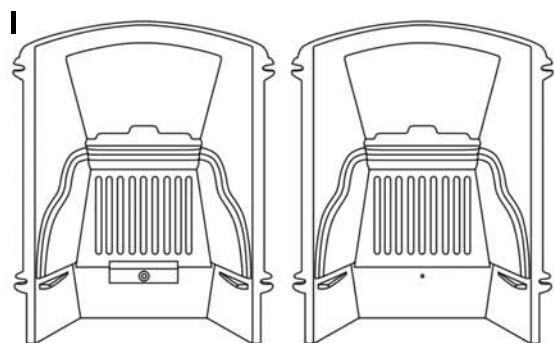


2x M8 Bolt



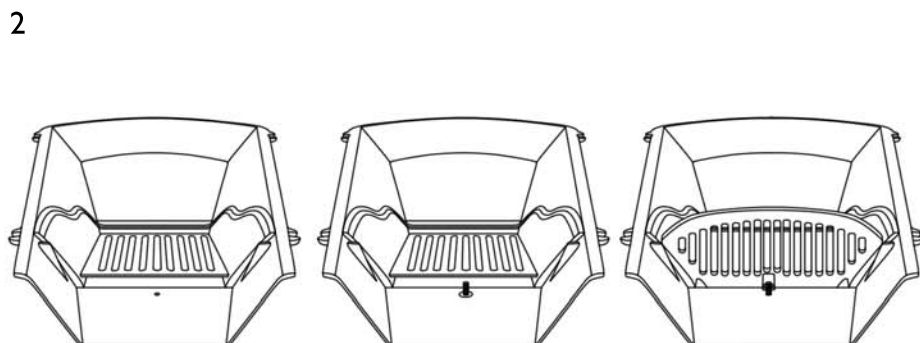
1x M6 Bolt

Please note, a flat head screwdriver and spanner are required to assemble this fireplace.



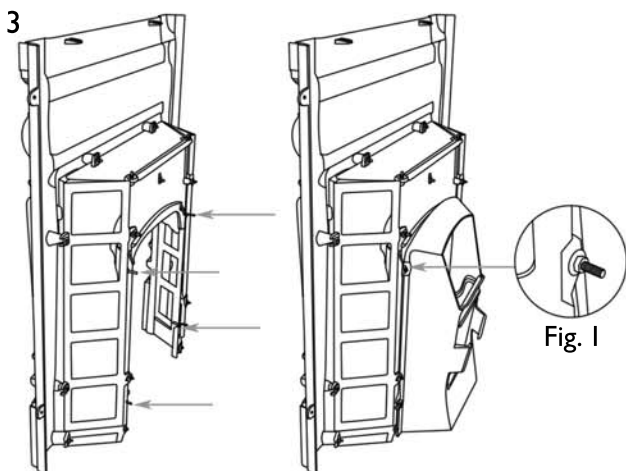
1 Remove the Firebrick Retaining Plate by removing the 1 x M6 Stud, Washer and Bolt.

THIS STEP IS NOT REQUIRED FOR SOLID FUEL USE

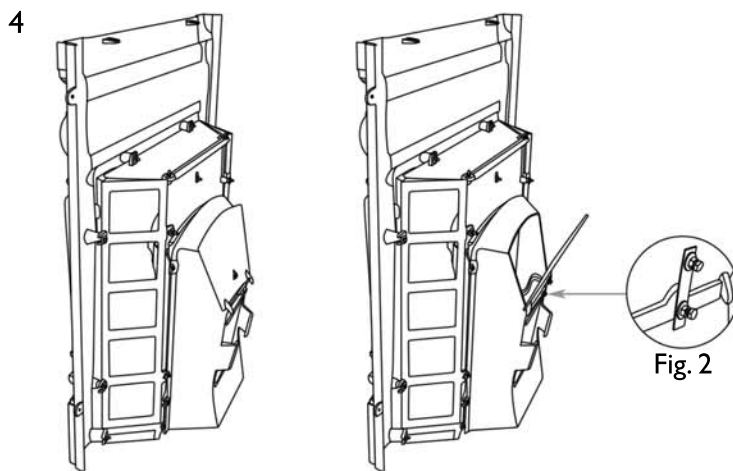


2 Lay Fireplace Back down on level ground. Position Firebrick in place and then insert 1 x M6 Bolt into the hole just below the Firebrick. Insert Grate into the groves on the Fireplace Back, passing the fixing lug over the M6 Stud. Secure in place with 1 x M6 Washer and 1 x M6 Bolt.

THIS STEP IS NOT REQUIRED FOR GAS USAGE.



3 Insert the 4 M6 Studs into the back of the Fireplace Fascia. Attach Fireplace Back to the back of the Fireplace Fascia, ensuring that the M6 Studs pass through the fixing brackets on the Fireplace Back. Secure and tighten using 4 M6 Washers and 4 M6 Nuts.

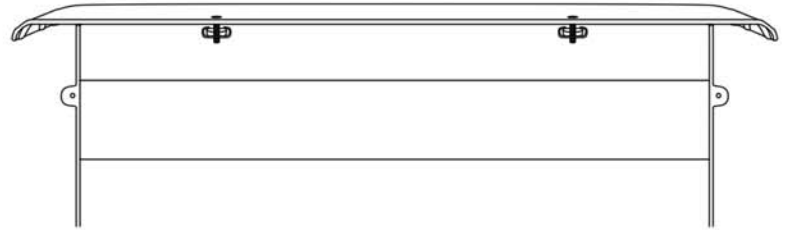
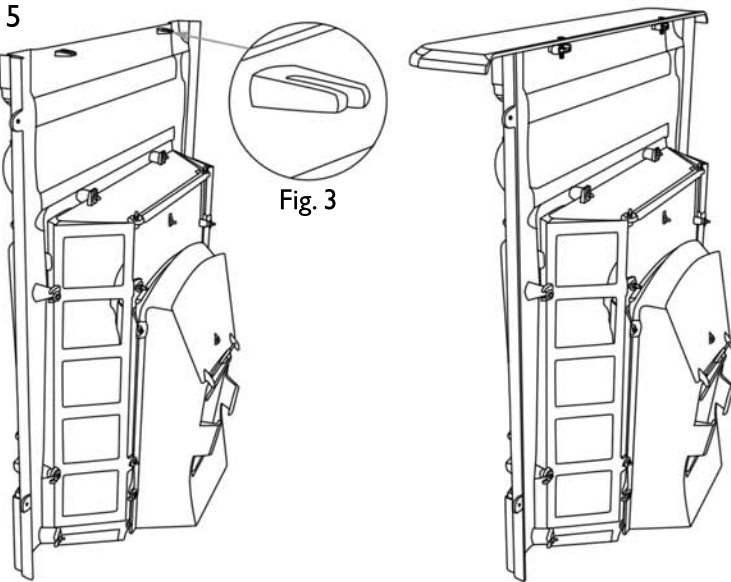


4 Solid Fuel Usage: Rest the Damper Plate onto the groove on the back of the Fireplace Fascia.

Gas Usage: The Damper Plate must remain fixed open for Gas Usage by using the Damper Plate fixing Kit. Screw M6 Nut fully onto M6 Bolt and lastly M6 washer x2. Attach Damper Fixing Plate as fig 2

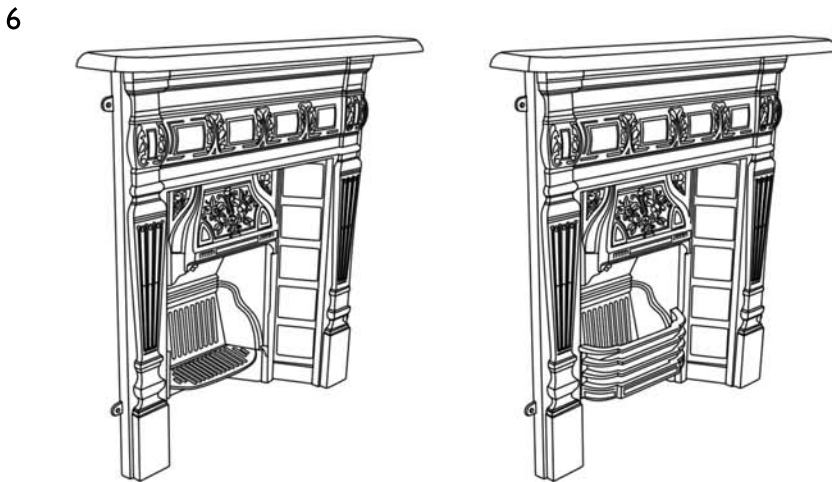


The Lambourn Combination

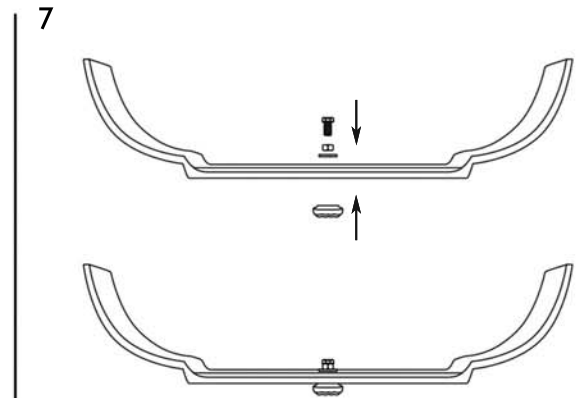


Rear View with Shelf attached

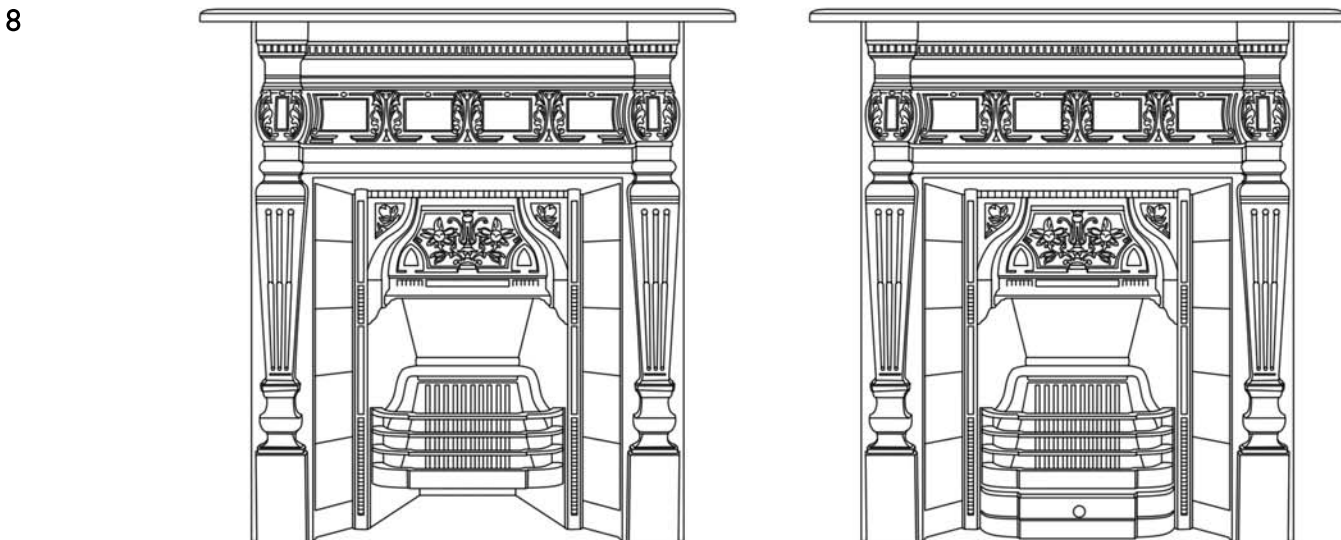
Place the 2 C Brackets onto the fixing lugs on the Fireplace Fascia. Rest the Shelf on the Fireplace Fascia and insert 2 M8 Bolts through the holes on the shelf ensuring they pass through fixing lugs (Fig. 3) and C Brackets on the back of the Fireplace Fascia. A flat head screw driver should be used to tighten.



Slide the Bars onto the grooves on the Fireplace Fascia



Attach the Ashpan Handle to the Ashpan using 1x M6 Bolt, 1x M6 Washer and 1x M6 Nut.



To complete, place Ashpan Cover below Grate and Bars on the front of the Fireplace.