



## The Tulip Combination

### Contents



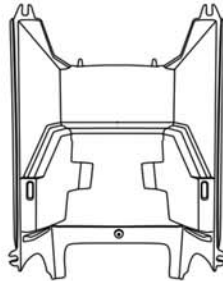
Fireplace Fascia



Shelf



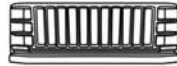
Damper Plate



Fireplace Back



Fire Brick



Firebrick Retaining Plate



Bars



Grate



Ashpan Cover



Firebrick Retaining Plate



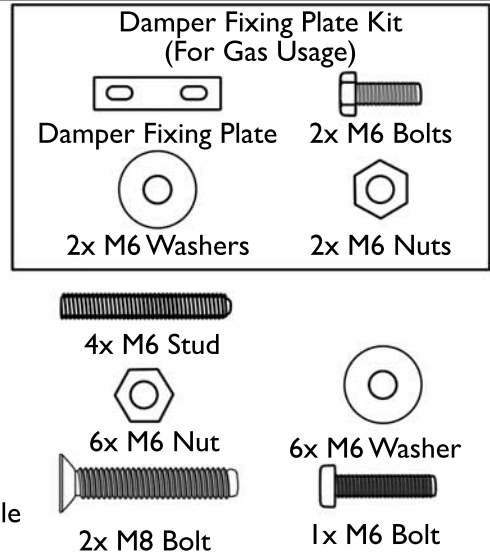
2x C Bracket



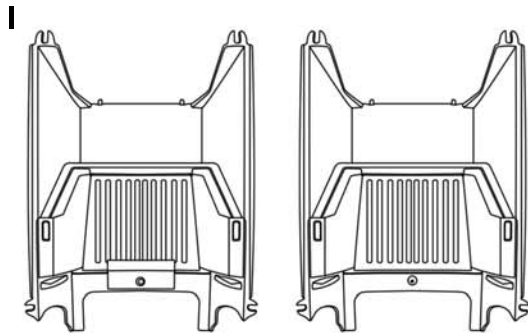
1x M6 Bolt



Ashpan Handle



Please note, a flat head screwdriver and spanner are required to assemble this fireplace.



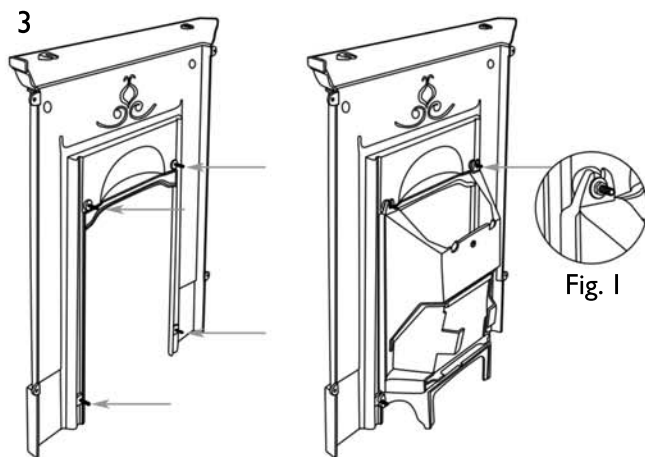
1 Remove the Firebrick Retaining Plate by removing the 1 x M6 Stud, Washer and Bolt.

THIS STEP IS NOT REQUIRED FOR SOLID FUEL USE

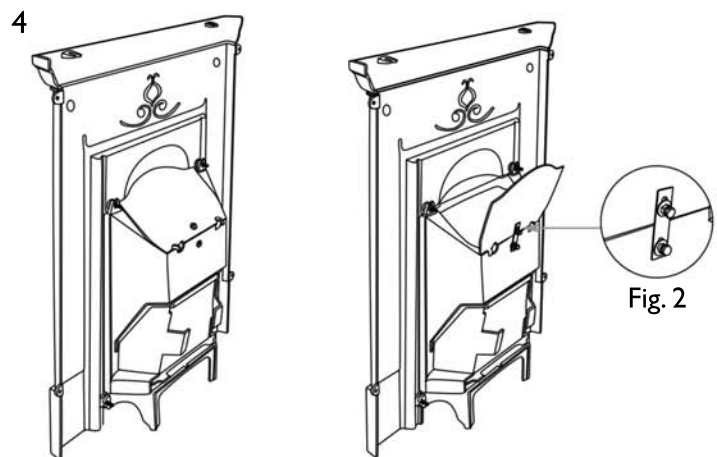


2 Lay Fireplace Back down on level ground. Position Firebrick in place and then insert 1 x M6 Stud into the hole just below the Firebrick. Insert Grate into the groves on the Fireplace Back, passing the fixing lug over the M6 Stud. Secure in place with 1 x M6 Washer and 1 x M6 Bolt.

THIS STEP IS NOT REQUIRED FOR GAS USAGE.



3 Insert the 4 M6 Studs into the back of the Fireplace Fascia. Attach Fireplace Back to the back of the Fireplace Fascia, ensuring that the M6 Studs pass through the fixing brackets on the Fireplace Back. Secure and tighten using 4 M6 Washers and 4 M6 Nuts.



4 Solid Fuel Usage: Rest the Damper Plate onto the groove on the back of the Fireplace Fascia.

Gas Usage: The Damper Plate must remain fixed open for Gas Usage by using the Damper Plate fixing Kit. Screw M6 Nut fully onto M6 Bolt and lastly M6 washer x2. Attach Damper Fixing Plate as fig 2



## The Tulip Combination

5

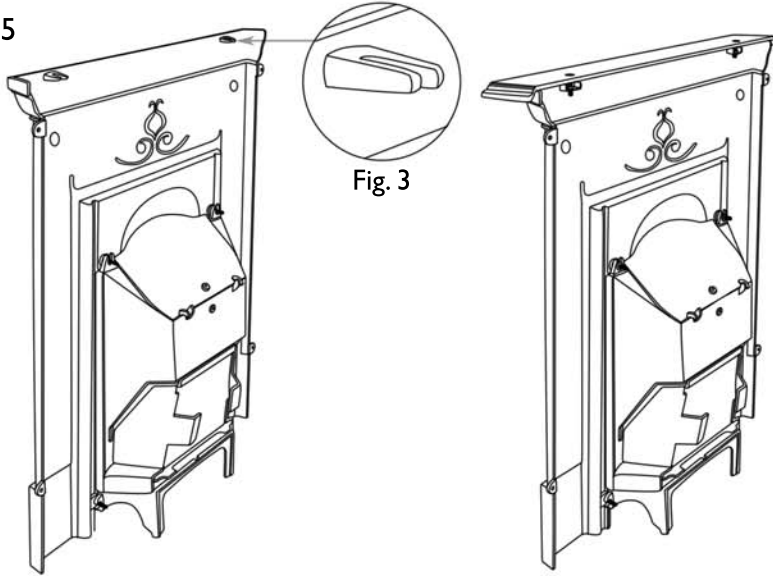
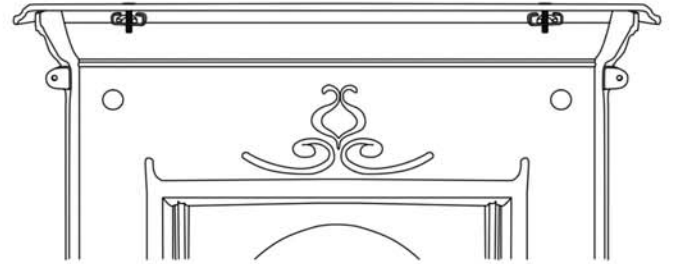


Fig. 3



Rear View with Shelf attached

Place the 2 C Brackets onto the fixing lugs on the Fireplace Fascia. Rest the Shelf on the Fireplace Fascia and insert 2 M8 Bolts through the holes on the shelf ensuring they pass through fixing lugs (Fig. 3) and C Brackets on the back of the Fireplace Fascia. A flat head screw driver should be used to tighten.

6

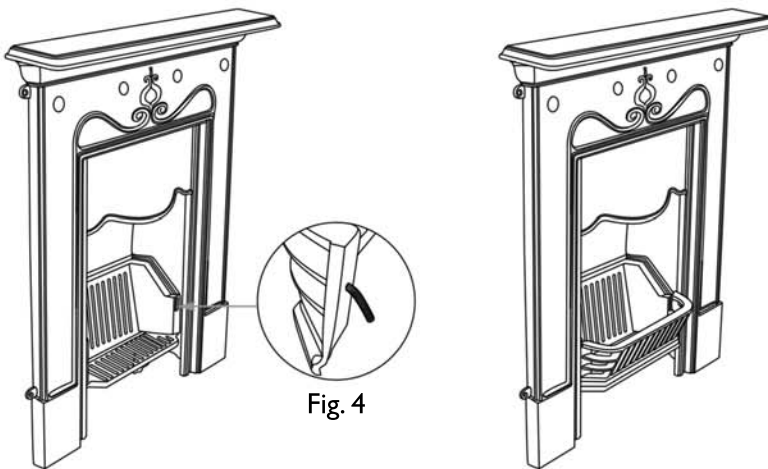
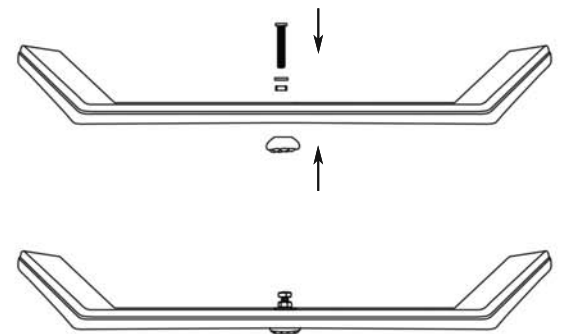


Fig. 4

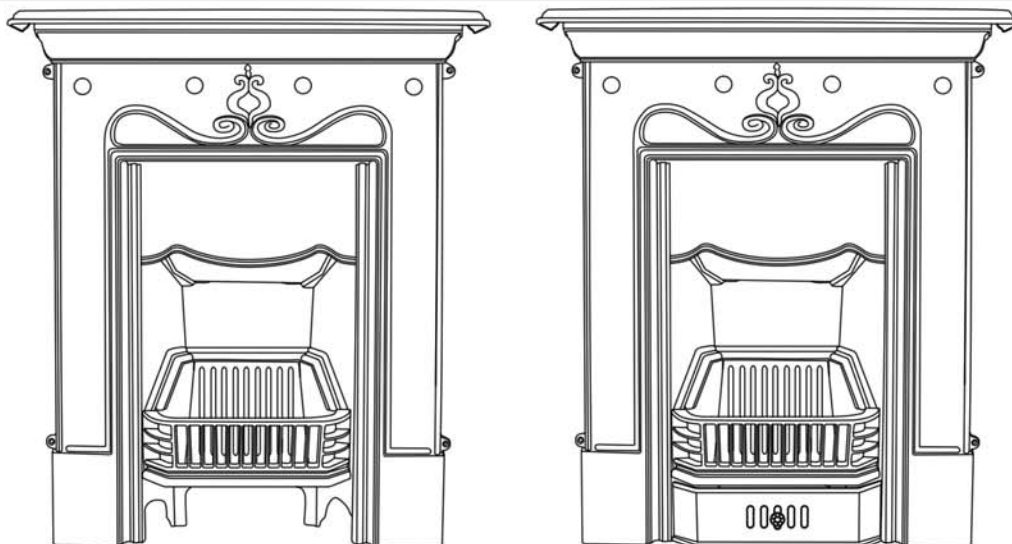
Attach the 2x Fixing Studs to the back of the Bars as Fig. 4. Attach Bars to the Fireplace Fascia, passing 2x Fixing Studs through the groves.

7



Attach the Ashpan Handle to the Ashpan using 1x M6 Bolt, 1x M6 Washer and 1x M6 Nut.

8



To complete, place Ashpan Cover below Grate and Bars on the front of the Fireplace.